

ECE QUEST

(A Bi-annual Technical Magazine)

Volume 1 Issue 2

April 2016

Chief Editor:

D. Srikanth, Associate Professor, ECE

Editors:

B. Praveen Kitti, Assistant Professor, ECE

P. Sai Ashok Kumar (12KT1A0480)

DhulipudiJeevan Raj (14KT5A0411)

D Naga Neelima(14KT1A0424)

PSCMR

College of Engineering and Technology

Sponsored by : SKPVV Hindu High School Committee, Estd : 1906

Approved by : AICTE, NEW DELHI and Affiliated to JNTU, Kakinada



Contents:

- About the Department, Vision, Mission, PSO's, PEO's
- Do it yourself
- Scientist of the year
- Important Websites
- Crossword
- Events

About the Department

The Department of **Electronics and Communications Engineering** envisions the E.C.E graduate as a competent and ethical professional in the areas of electronics, communications, and digital signal processing. The Department of Electronics and Communication Engineering is established in **2008**. It offers B.Tech programme with a student intake of **120**.

Vision:

To be a leading center for education and research in electronics and communication engineering, making the students adaptable to contemporary technologies with sound knowledge and socio-ethical values in an integrated learning environment.

Mission:

- **M1:** To produce knowledgeable and technologically competent engineers for providing services to the society.
- **M2:** To have a collaboration with leading academic, industrial and research organizations for promoting research activities among faculty and students.
- **M3:** To create a unified learning environment for sustained growth in electronics and communication engineering and related areas.

PSO's

PSO1: The ECE Graduates will be equipped with knowledge of complete design flow from specification to silicon in areas of both digital and analog VLSI Design and will be able to work in IC design companies.

PSO2: The ECE Graduates will be trained with microprocessor and microcontroller based system design skills and can work as design and verification engineers in the area of embedded systems design.

PSO3: The ECE Graduates will be able to apply engineering knowledge for design and implementation of projects pertaining to signal processing and communications.

PSO4: The ECE Graduates will be incorporated with necessary soft skills, Aptitude and technical skills to work in it and public sector.

PEO's

- **PEO1: Engineering Foundation**

To produce graduates with firm foundation in electronics and communication engineering.

- **PEO2: Core Competence**

To motivate graduates to Analyze, Design, Develop, Optimize and implement electronic systems with competent spirit.

- **PEO3: Breadth Knowledge**

- To enable graduates with sufficient breadth in electronics and its related fields to solve general engineering problems in an eco-friendly environment.

- **PEO4: Soft Skills**

To make graduates with a professional outlook who can communicate effectively and interact responsibly with colleagues, Clients, Employers and society.

- **PEO5: Knowledge Enhancement**

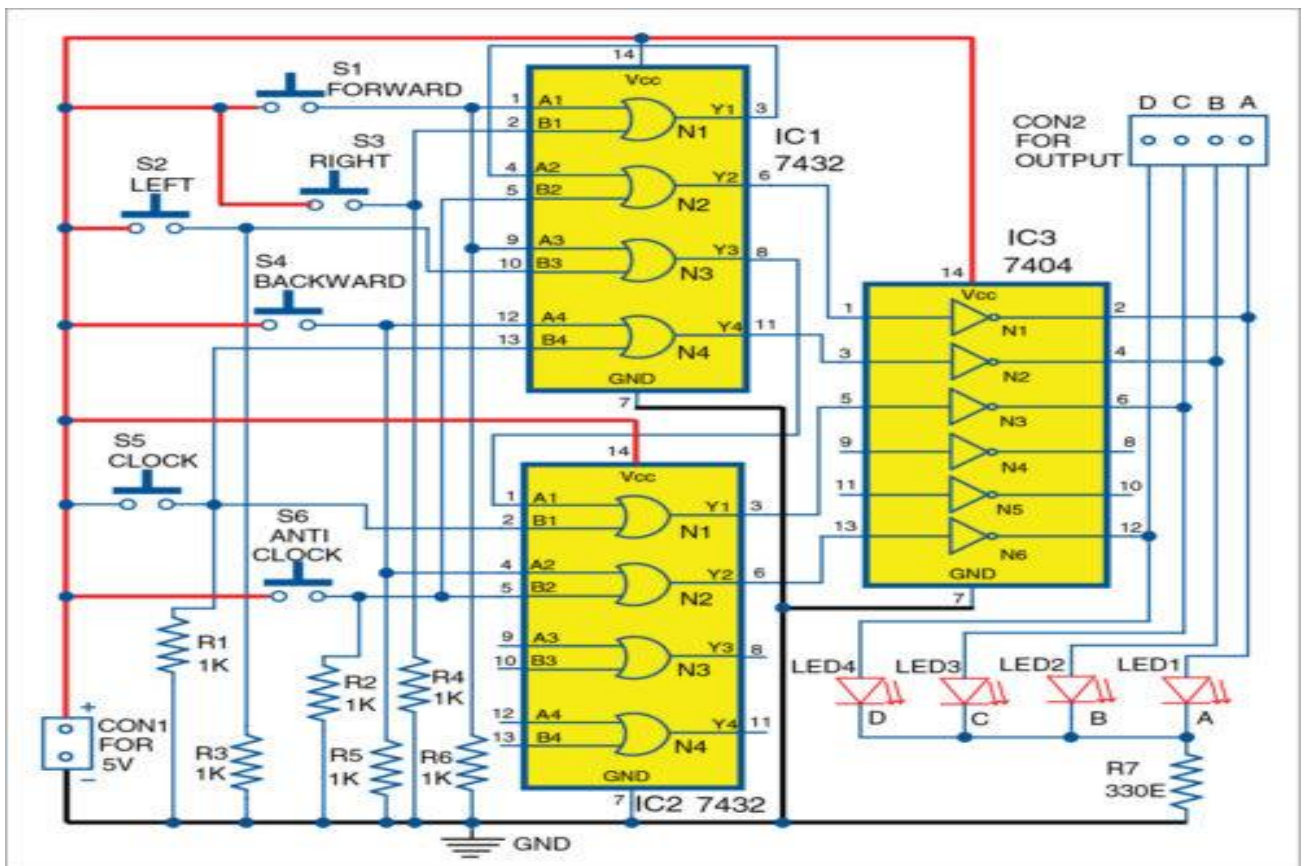
To prepare graduates who pursue lifelong learning and professional development including higher education.

Do it yourself

Make Your Own Joystick for Robot

Here is a simple joystick to control a robot to move in forward, backward, right, left, clockwise (CW) and counter-clockwise (CCW) directions using six buttons. It is cheaper than most other joysticks available in the market.

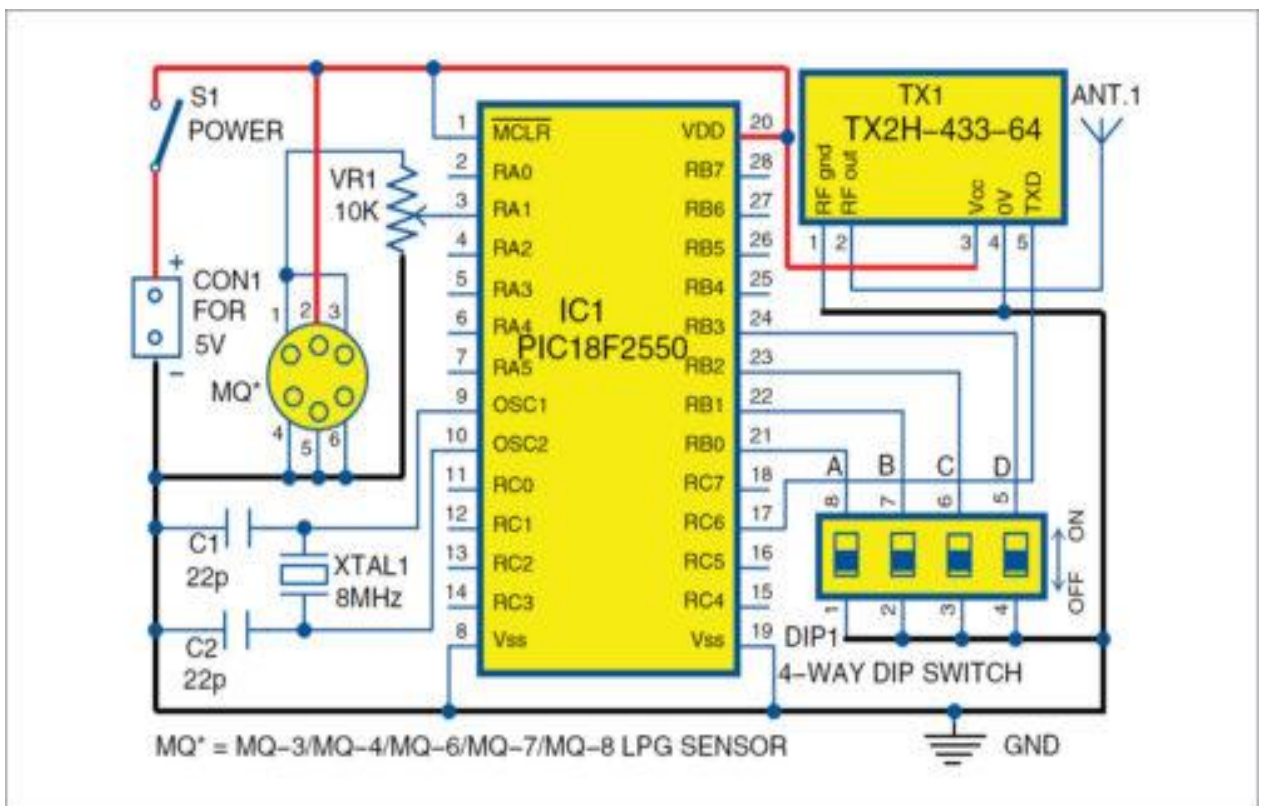
Circuit



Do it yourself

Designing Wireless Gas Detection and Monitoring Systems

Gas detector systems are mainly used for sensing the presence of gas leaks and then taking an action, such as automatically shutting down the source of gas or sounding an alarm to inform the people in the area about the gas leak.



Scientist of the year

James Clerk Maxwell (1831–1879)

James Clerk Maxwell was a Scottish scientist in the field of mathematical physics. His most notable achievement was to formulate the classical theory of electromagnetic radiation, bringing together for the first time electricity, magnetism, and light as different manifestations of the same phenomenon

Important Websites



Important Websites

Grammarly

Grammarly is a useful tool for English Writing. It improves your writing and grammar quality. You can directly upload and download your file. The most amazing part is that it also comes with a plagiarism checker which is on the site. This tool checks your work and compares it with about 250 grammar rules. It is an extension for your browser, so you can easily check the accuracy and quality of your work.

Dictionary.com

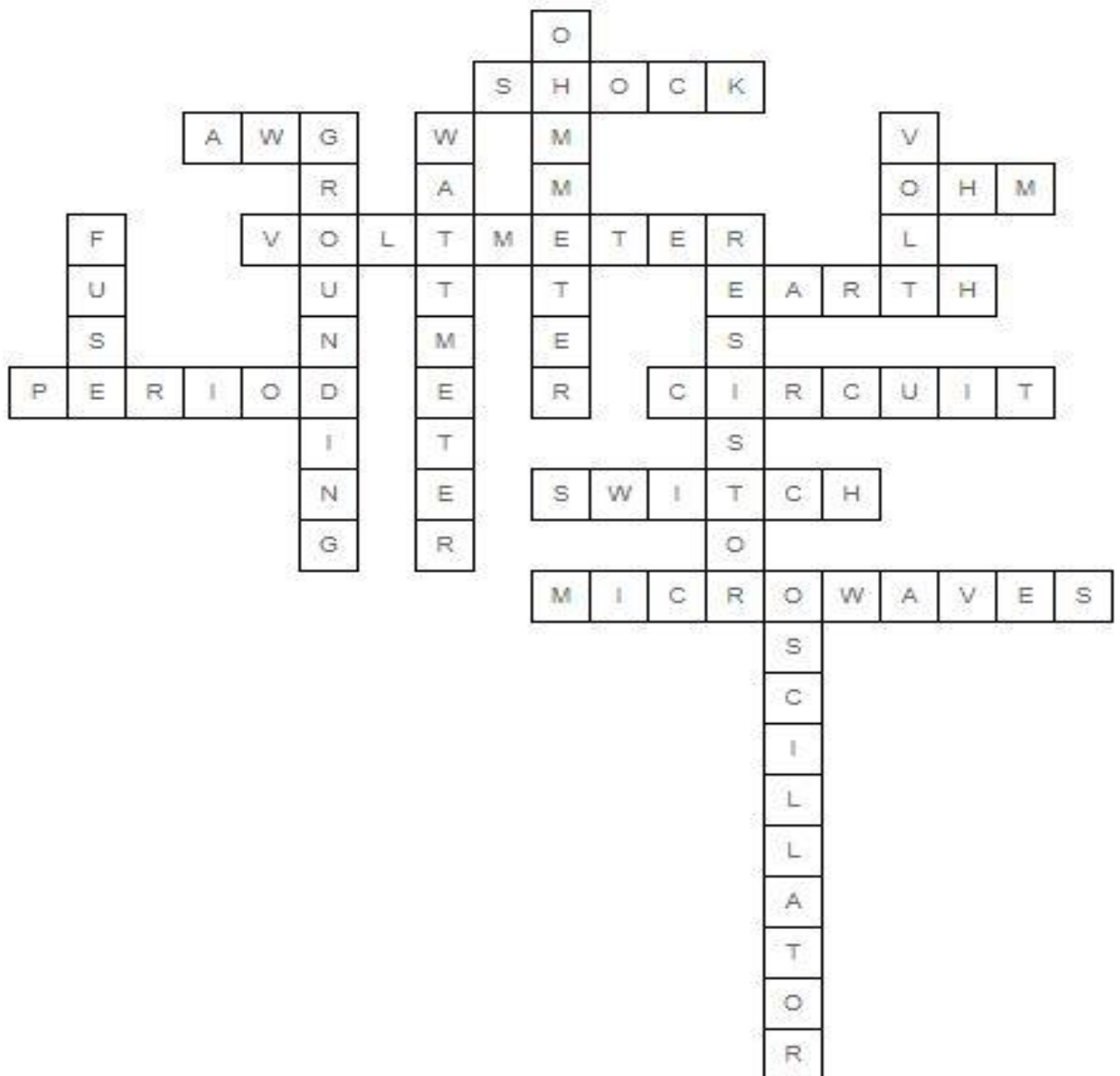
This site does two work at the same time. First is that it can quickly check for any spelling errors in your work. Secondly, at the same time, it allows you to expand your vocabulary. It can look up to complicated words in no time.

Google Scholar

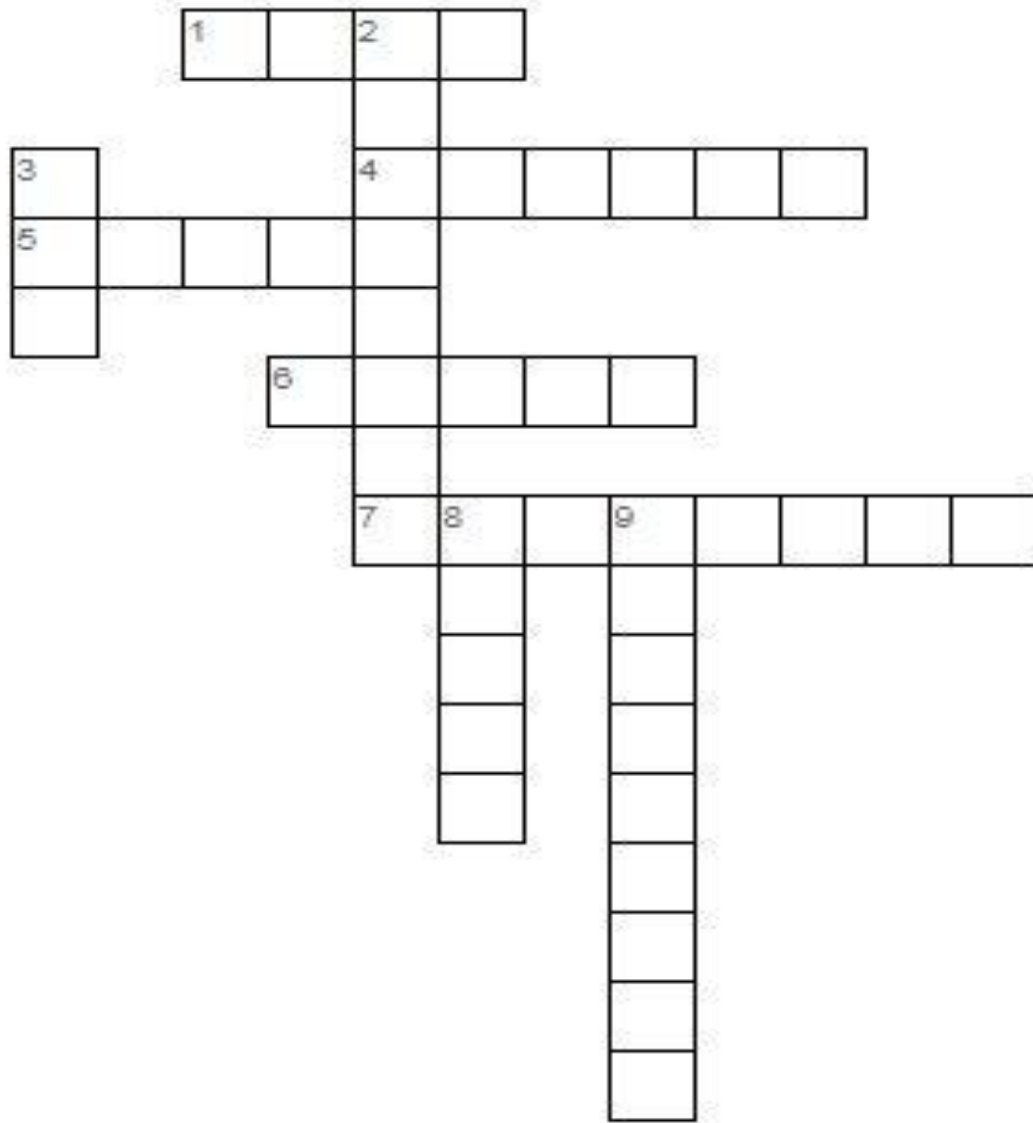
This must-have search engine for research lets you easily find relevant scholarly literature, such as books, theses, abstracts, and articles, across many disciplines and sources. Google Scholar ranks documents by taking into account the full text, where the document was published, who authored it, and how often and how recently it has been cited in other scholarly literature. Find literature from academic publishers, professional societies, universities, court opinions, and other credible organizations.

Crossword

- Solution to previous edition:



Crossword



Across

- 1 Allows gadgets to be connected wirelessly
- 4 Allows the user to take pictures of their surrounding
- 5 Allows two or more persons to talk or text each other
- 6 consists of a moving cursor that select icons on a computer
- 7 Used to type words into the computer

Down

- 2 A very popular social media
- 3 used to find location by way of the internet
- 8 To send a message over the internet
- 9 Allows music to be transferred from one phone to the other

Events

S.No.	Name of the event	Event type	Professional societies/chapters	Resource person/team	Date
1	Project Expo	Workshop	IETE Students forum	II year ECE	18/02/2016.
2	Hands on experience with HFSS	Workshop	IETE Students forum	Faculty of Dept. of ECE	15/02/2016to 20/02/2016
3	Concept Oriented Preparation For Gate	Guest Lecture	IETE Students forum	GATEACADEMY	11-02-2016
4	Trends and Challenges in Today's Technologies	Guest Lecture	IETE Students forum	Rama Krishna, CEO, Efftronics ,Vijayawada	19/12/2015